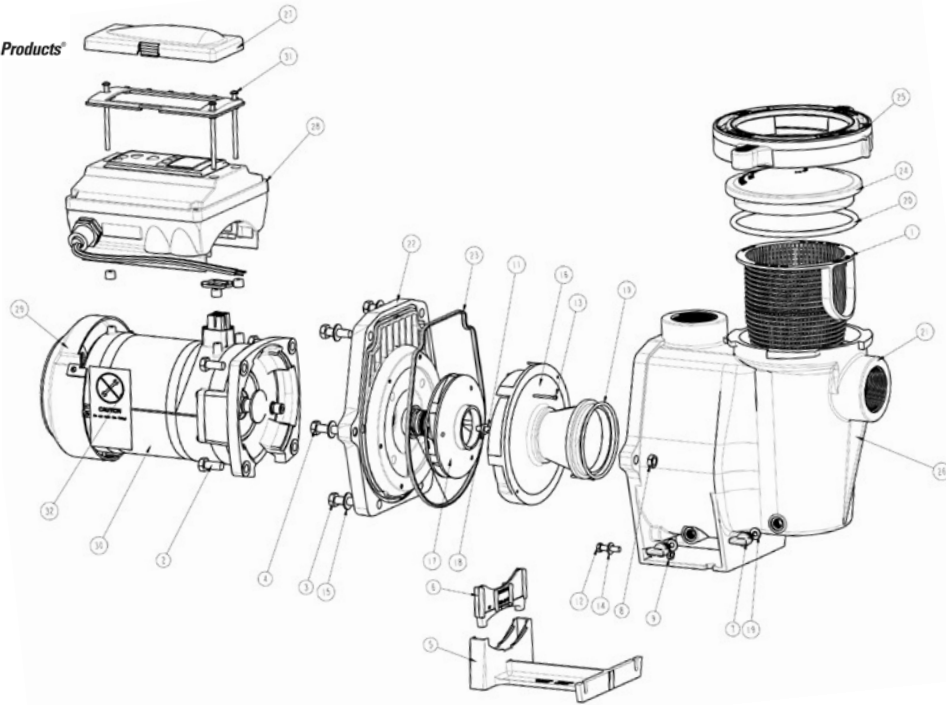


IntelliFlo® VS 3050 & VS + SVRS Pump

Replacement Parts



Item No.	Part No.	Description	US List	Can. List	Item No.	Part No.	Description	US List	Can. List
INTELLIFLO VS 3050 & INTELLIFLO VS + SVRS									
1	070387	Basket WF	14.86	15.92	24	357151	Lid, see thru WF.	27.78	29.72
2	070429	Bolt hex HD, 2-56 x .875 S/S, 4 req.	2.14	2.28	24	357156	Lid, Chemical Resistant	52.36	56.03
3	070430	Bolt, 3/8-16 x 1-1/4 hex cap 18-8 S/S, 4 req.	1.92	2.08	25	357199	Clamp cam & ramp WF, almond	36.89	39.47
4	070431	Bolt, 3/8-16 x 2 hex cap 18-8 S/S, 2 req.	2.14	2.28	26	357243	Pot WF assy., almond (contains 1, 7 (qty. 2), 19 (qty. 2), 20, 21, 24, 25)	369.47	395.33
5	070927	Foot WF, pump motor support, almond	29.67	31.75	27	350601	Control cover assy. kit, almond (contains cover assy., hardware/gasket kit, instr.)	167.53	179.28
6	070929	Foot insert WF pump, almond	14.86	15.92	28	350921	Drive VS-3050 assy. kit, almond (contains drive VS-3050, control cover assy.) ³	1471.58	1574.61
7	071131	Plug drain WFE, almond, 2 req.	4.75	5.08	28	351021	Drive, IntelliFlo VS + SVRS Assembly Kit (Contains Drive VS and Control Cover Assembly)	CALL	CALL
8	071403	Nut, 3/8-16 brass nickel plated, 2 req.	1.22	1.28	29	352401	Motor fan kit, almond (contains fan, shroud, hardware).	136.08	145.61
9	071406	Nut, 1/4-20 hex S/S, 2 req.	1.22	1.28	30	350105S	Motor VFD 3.2KW PMSM replacement, almond	CALL	CALL
10	071444	O-ring #238, 3.484 x .139, buna N 70	4.75	5.08	31	350612	Hardware/gasket assy. kit (contains 3 screws, 3 spacer caps and drive gasket)	83.61	89.47
11	071652	Screw, 1/4, 20 x 1 LH phillips pan MS 18-8 S/S, 1 req.	2.00	2.14	32	070114	Power end IntelliFlo VS 3050, almond (contains items: 2, 4, 10, 11, 13, 15, 16, 17, 19, 22, 23, 28, 30) ³	1952.89	2089.61
12	071657	Screw, 1/4-20 x 1 in. hex cap 18-8 S/S, 2 req.	1.22	1.28	32	070117	Powerend IntelliFlo VS + SVRS (Contains items 2, 4, 10, 11, 13, 15, 16, 17, 19, 22, 23, 28, 30)	CALL	CALL
13	071660	Screw set, 4-40 x 1-1/8 WFE sckt cap 18-8 S/S, 2 req.	2.53	2.72	NOT SHOWN				
14	072183	Washer, flat 1/4 x 5/8 20GA thick 18-8 S/S, 2 req.	1.22	1.28	350122		50 ft. Communication Cable	130.86	140.03
15	072184	Washer, 3/8 ID x 7/8 OD .05 thick 18-8 S/S, 6 req.	1.22	1.28	357149		Almond Volute/Seal plate Replacement Kit (Items 1, 7 (Qty 2), 19 (Qty 2), 20, 21, 22, 23, 24, 25,	232.33	248.58
16	072928	Diffuser assembly 12, black	70.31	75.22	350202		Seal Plate Kit with Gasket (Items 22 & 23)	CALL	CALL
17	073131	Impeller, IntelliFlo	77.22	82.64					
18	175713	Rubber washer, WFE pump, 1 req.	CALL	CALL					
19	192115	O-ring 112, .487 x .103 buna -N 70, 2 req.	0.97	1.03					
20	350013	O-ring lid CH/WF 2-436, 1 req.	2.39	2.56					
21	350015	Housing WFE, almond	176.58	188.94					
22	350201	Seal plate kit, WFE, almond (contains seal set, PA7/WFE SER)	158.92	170.03					
23	357102	Almond Gasket for Seal plate ²	4.83	5.17					
23	357100	Black Gasket for Seal plate ¹	CALL	CALL					

¹ Used on pumps manufactured after 2/1/08.

² Used on pumps manufactured before 2/1/08.

³ Contact factory for IntelliFlo VS + SVRS

* Not serviceable parts.

Product on page 166 - 167